

Radiometric aerial thermography



Features:

- Full radiometric IR inspection with up to 640x480 pixels
- 380 g two-piece design: independent additional use of the IR camera with any Windows PC or tablet PC
- Real-time radiometric onboard recordings to USB 3.0 flash drive (32 Hz / VGA or 125 Hz / VGA sub-frame mode)
- GPS and GoPro support
- Extensive analysis software PI Connect included
- Remote recording control and switching between VIS / IR live video
- Cost-free field updates of the Recording Box software

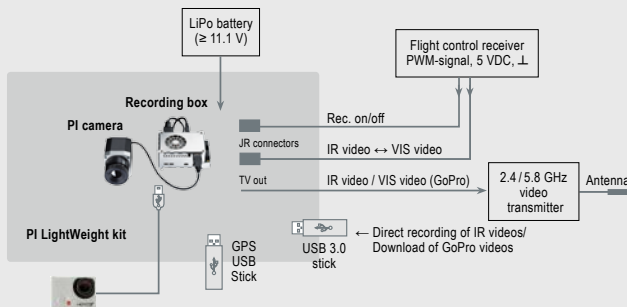
Specifications optris PI camera head

Measuring range	-20 °C ... 900 °C
Spectral range	7.5 – 13 µm
Accuracy	± 2 % or ± 2 °C
Thermal sensitivity (NETD)	40/ 80 mK (depending on camera model)
Optics	13°... 90° HFOV
Resolution	640x480 px / 382x288 px
Dimensions	46 x 56 x 90 mm
Operating temperature	0...50/ 70 °C (PI 450)

Specifications LightWeight Recording Box

Power supply	10-48 V DC
Power consumption	12 W
Cooling	Active (integrated fan)
Operating temperature	0 ... 50 °C
Relative humidity	10-95%/ non-condensing
Dimensions	96 x 67 x 47 mm
Weight	380 g (PI camera + Recording Box)
Material (housing)	Aluminum
Module	Odroid XU4
Processor	Samsung Exynos/ 2 GHz
Operating system	Linux
Memory	16 GB eMMC, 2 GB RAM (LPDDR3), SDHC card (16 GB), USB 3.0 flash drive (128 GB)
Connections	Ethernet (GigE/ 1000 Mbit/ s), 2x USB 3.0/ 1x USB 2.0, 1x Mini-USB for GoPro Hero3+ (or better), 1x HDMI, 1x TV _{out} , 2x JR connectors
Terminals	+5V DC out, Video IN (VIS camera), TVout, 2x external switches
Control (via JR connectors or terminal)	Start/ Stop recording, Switch VIS/ IR camera
Additional features	GPS support, 5 status LEDs

Recommended system integration



Possible extension with GoPro Hero camera, GPS USB flash drive and 2.4 GHz flight control receiver